

JS 6-251 G11

Qmax 290 m³/h - 4833 l/min (1277 USgpm) - Hmax 34 m (111 ft)

Code 4810062140



Indicative picture of the product

Self-priming centrifugal bare shaft pump

Characteristics

The J series self-priming centrifugal pumps are used in applications where a rapid priming capacity is required from demanding suction heights combined with the ability to transfer and manage polluted fluids, dirty and abrasives with suspended large diameter solids. The system is based on an inspectable pump casing which also acts as a water tank allowing a first quick priming without auxiliary systems, simplifying management of the system and reducing the time for maintenance. Within the physically permitted suction height limits, J pumps are a more comfortable and reliable solution than submersible pumps and vertical submersed impeller pumps.

Applications

Industry:

clean, dirty, sandy, muddy, neutral, alkaline, acidic liquids; low viscous petroleum products, solvents even if dirty; milk of lime, caustic soda; washing, cooling, recirculation, smoke scrubbing.

Treatment:

pumping polluted corrosive wastewater containing sand, mud or solids in suspension; dosing neutralizing liquids; pumping out settled sludge.

Naval:

loading and unloading; bilge pumping; washing, fire-fighting, stripping, sanitary duty and circulation.

Agriculture:

surface irrigation; liquid manure oxygenation; transfer and spraying liquid manure or fertilizers; distribution of liquid animal feed; transfer of wine must; washing.

Product Data

Suction port

Flanged - DN150 DI 1882 TL (solder)

Delivery port

Flanged - DN150 DI 1882 TL (solder)

Qmax

290 m³/h - 4833 l/min (1277 USgpm)

Hmax

34 m (111 ft)

Solids handling

50 mm (2")

Weight

203 kg (447 lb)

EX version



Pump with dedicated code, including thermowell predisposition for temperature sensor and glass oiler for mechanical seal quench fluid, according to **ATEX 2014/34/EU**.

Benefits

1) Rapid self-priming

Without foot valve up to a height of 7.5 m (24.5 ft)

2) High resistance

To abrasive liquids which are turbid and sandy

3) Semi-open impeller

High thickness casting impact resistant

4) Wear plate/plates

Easily replaceable cast iron wear plate/plates

5) Easy inspection and cleaning

Removable front covers for access to the impeller

Varisco S.r.l. has certified its Quality, Environment and Safety Management System in accordance with the requirements of the international standard ISO 9001-14001-45001, recognized by the Lloyd Register.

Specification is subject to change without prior notice. Please check with your Varisco representative for the latest specifications.

Document release date: February 15th 2024

JS 6-251 G11



PERFORMANCE CURVES

Test according to **UNI EN ISO 9906 standard - level 2B**

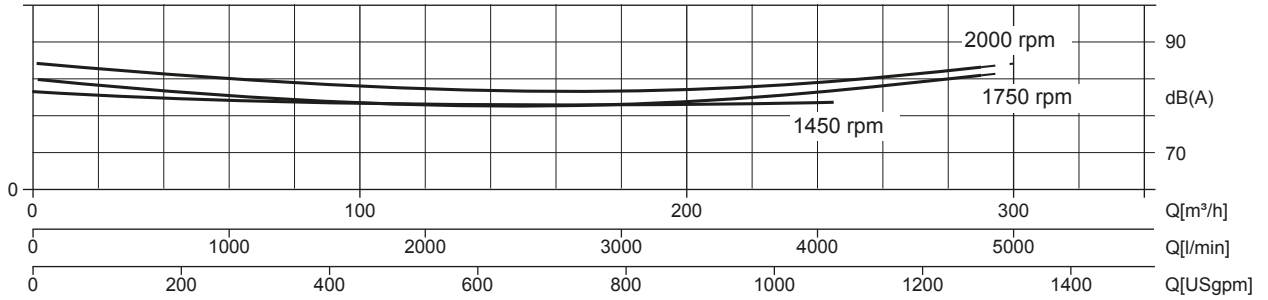
Installed power: **11 kW - 15 HP (1.450 rpm)**

Test liquid: **clean water, density 1.000 kg/m³**

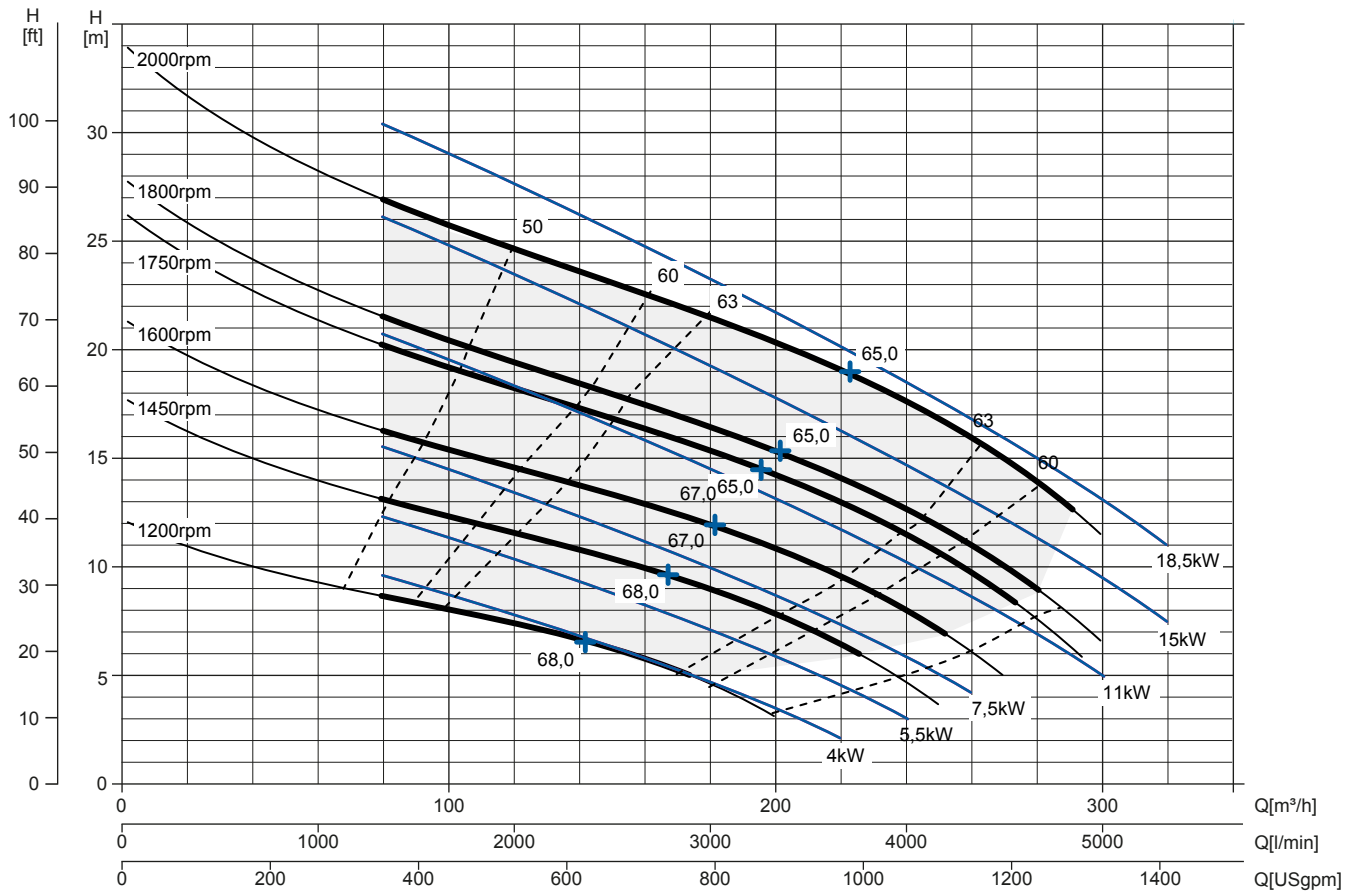
Spherical solids handling: **D.50 mm (2")**

Noise Curve

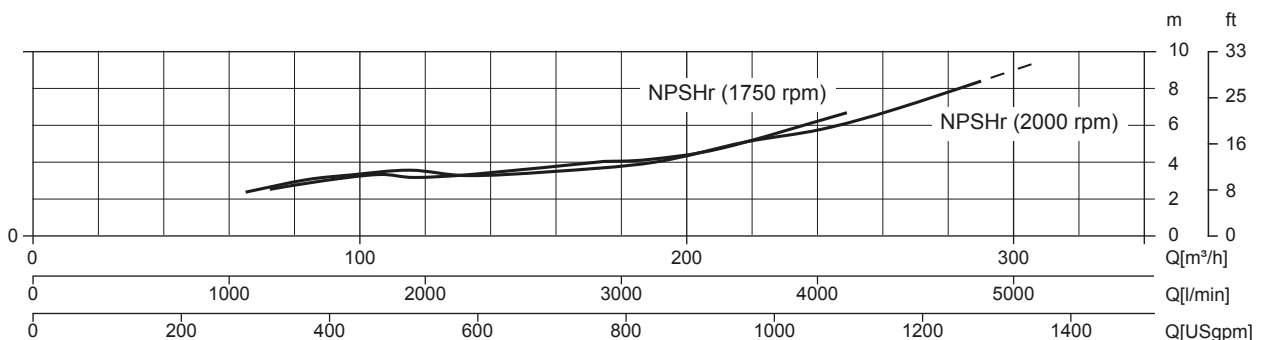
dB(A)=max noise level at 1 m



Multiple Speed Curve



NPSHr Curve



JS 6-251 G11

TECHNICAL DATA

Pump

Pump model	JS 6-251 G11
Qmax [2.000 rpm]	290 m ³ /h - 4833 l/min (1277 USgpm)
Hmax [2.000 rpm]	34 m (111 ft)
Suction port	Flanged - DN150 DI 1882 TL (solder)
Delivery port	Flanged - DN150 DI 1882 TL (solder)
Impeller type	Semi-open, 2 vanes
Solids handling	50 mm (2")
Casing	EN 1561 EN-GJL-200 cast iron
Impeller	cast iron EN 1563 EN-GJS-400
Wear plate	EN 1561 EN-GJL-200 cast iron gommata
Non-return valve	check-valve, NBR
Shaft	39NiCrMo3 EN 10083-3 steel
Mechanical seal	Silicon carbide / Silicon carbide
Elastomers	NBR
Lubrication	Grease
Bearing bracket	EN 1561 EN-GJL-200 cast iron, with grease lubricated ball bearings for life

Arrangement

Model	Bare shaft
Dimensions (L x W x H)*	853 x 475 x 619 mm (33,6 x 18,7 x 24,4")
Coating	Polyurethane enamel, average thickness of 100 µm
Color	RAL 5010 blue (standard)
Height connection	0,45 m (1,5 ft)

*without flanged ports

Optionals

Flanged ports DN150 PN16 EN1092-2 Type B	Complete pump set code available on request
Flanged ports 6" ANSI B16.1 Class 125 R.F.	Complete pump set code available on request
Automatic mechanical seal greaser	Code: 10008316
Thermocouple temperature sensor for ATEX pump	TC - Range temperature from 0 up to 300°C
Temperature sensors for ATEX pump	PT100 - Range temperature from 0 up to 300°C

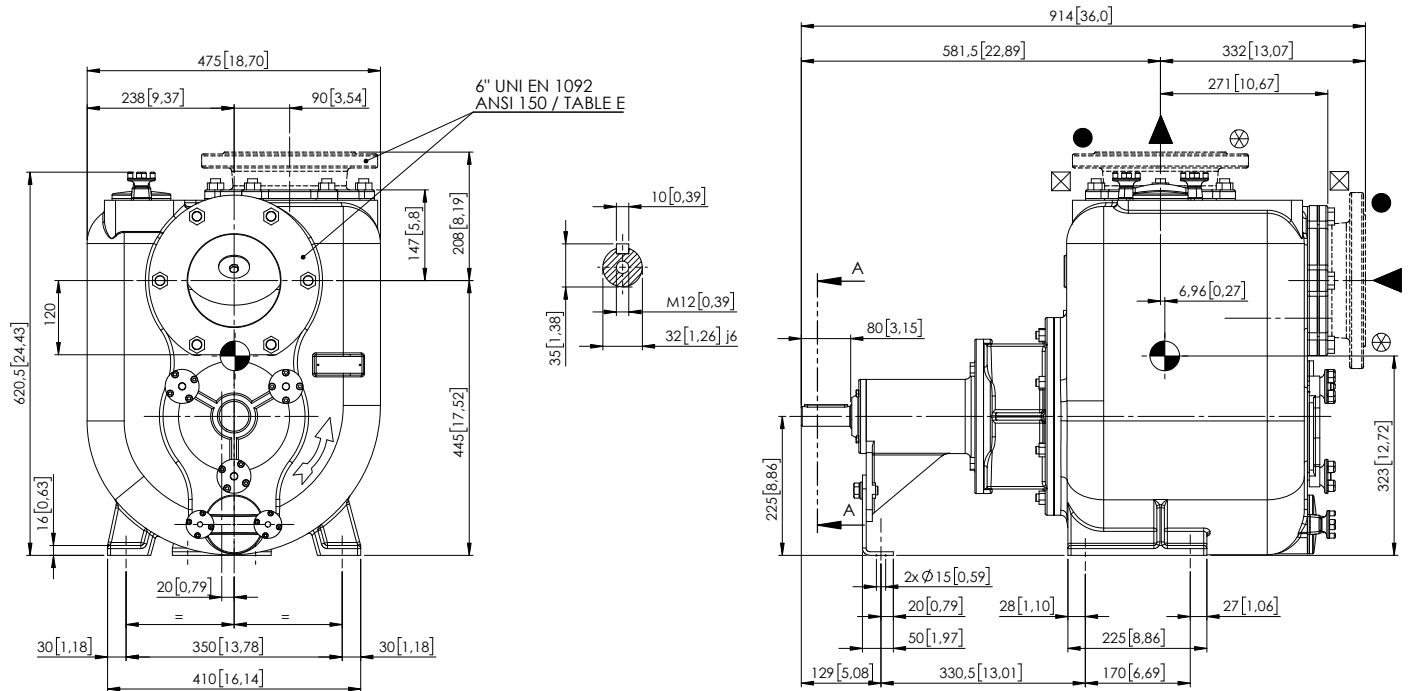
Weight

Net weight	203 kg (447 lb)
Gross weight (pump + packing)	223 kg (491 lb)

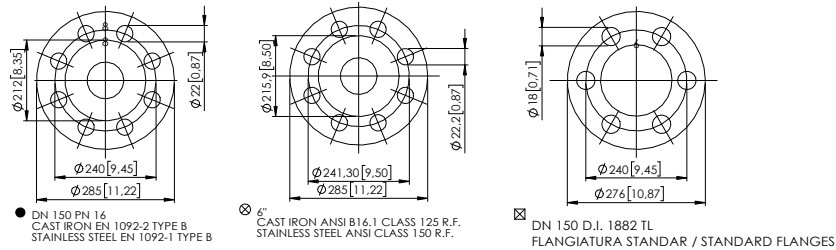
JS 6-251 G11

DIMENSIONS

mm [in]



FLANGIATURA SU RICHIESTA / FLANGES ON REQUEST



PACKAGING DIMENSIONS

Dimensions

JS 6-251 G11 (L x W x H)

1000 x 800 x 830 mm

Gross weight (pump + packing)

223 kg (491 lb)

